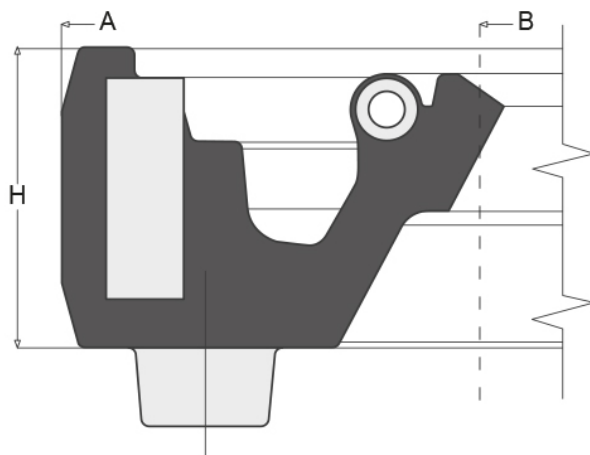




OIL SEALS TYPE GMA: GMA

CODE GMA4145GATOR



DIMENSIONS	
B	368,30
A	418,10
H	20,62

DESCRIPTION	
PRESSURE: 0 BAR ("split") - Max. 0.5 BAR ("endless")	
USE: Radial Sealing	
OUTSIDE Ø: Rubber	
CONSTRUCTION: Rubber seal + Stiffening ring + Sealing lip with vulcanized garter spring + Spacers	

APPLICATIONS	
Metals Industry; Wind Mill Industry; Marine Business; Power Generation Industry; General Industry;	

The present drawing is property of F.Ili Paris S.r.l. a socio unico, who owns all rights on it. Full or partial reproductions are forbidden unless authorized by written permission.
The information given in this drawing are to be considered confidential.
The drawing in this page is for information only. Please contact our offices for an official drawing with all notes, dimensions and tolerances not present in this document.

F.Ili Paris S.r.l. a socio unico

fpparis.com

via Marconi 142/144, 24060 Castelli Calepio (BG) ITALY
☎ +39 035 442 5511 | 📠 +39 035 442 5478 | ✉ info@fpparis.com

03-04-2026